

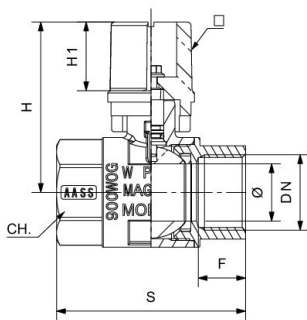


## RIV 4225

Ball valve F/F heavy type  
full bore  
brass square cap

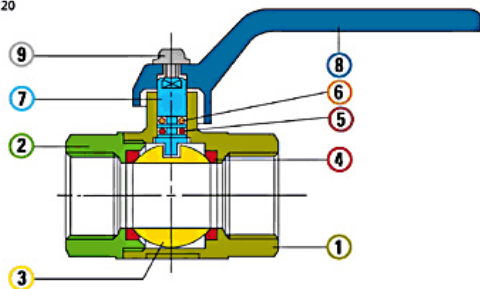
### Tech drawings and tables

DN	Code	Ø	H	S	F	H1	PN	KG	P/box	
1/2"	024225000004	15	63	59	17	30	28	64	0,412	10
3/4"	024225000005	20	70	69	18	30	28	64	0,598	10
1"	024225000007	25	74	83	22	30	28	64	0,845	8
1"1/4	024225000008	32	86	94	24	30	28	50	1,257	6
1"1/2	024225000009	40	95	102	24	30	28	50	1,561	4
2"	024225000011	50	102	124	28	30	28	50	2,452	4



## Technical data

Art. 4220



### Materials

1	Body	Brass	CW617N	Nickel-plated
2	Body end	Brass	CW617N	Nickel-plated
3	Ball	Brass	CW617N	Chrome-plated
4	Seats	P.T.F.E.		
5	O-Ring	FKM		
6	O-Ring	NBR		
7	Stem	Brass	CW614N	
8	Lever	Aluminium		Green
9	Screw	Steel		Zinc-plated

### Connections

F/F: ISO 7/1Rp (parallel) - M/F: male ISO 7/1R (tapered), female ISO 7/1Rp (parallel)

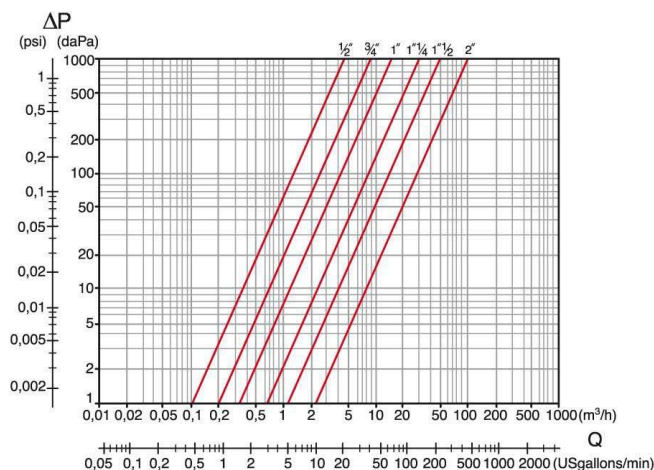
### Limit

-20°C (without liquid) +150°C

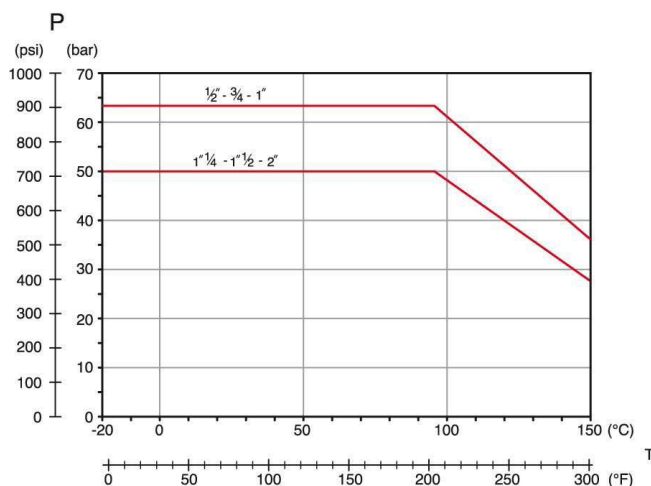
### Notes

The max.working pressure (PN) means at a room temperature of about 23°C.

## Pressure Loss Chart



## Temperature/Pressure



## Kv & Cv Coefficients

Size	Kv	Cv
1/2"	15,5	17,9
3/4"	31,0	36,0
1"	52,0	60,0
1"1/4	100,0	116,0
1"1/2	180,0	208,0
2"	350,0	405,0